



■ Photo may include optional equipment

HYUNDAI LPG FORKLIFT TRUCKS - Applied Tier 4 Engine

# 60L/70L-7A



# NEW criterion of Forklift Trucks

Hyundai introduces with its 7A-series a new line of LPG forklift trucks. Excellent power and performance improves your business profitability.



■ Photo may include optional equipment

# The new master on your job-site!

Smooth running, efficient and ergonomically designed, 60/70L-7A series are made to meet your needs.

**70 kW / 2,300 rpm**

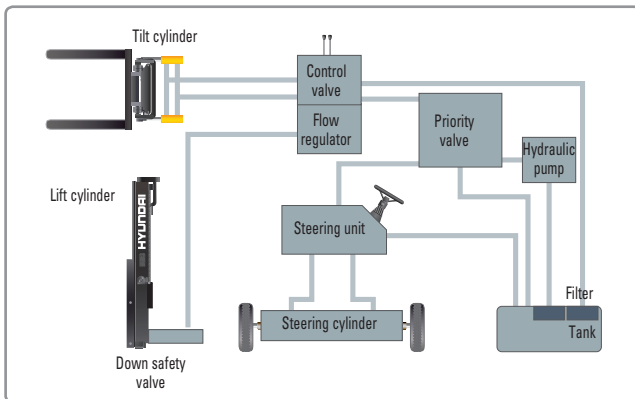


## Powerful Engine GM 4.3L V6 Engine

Market approved quality of GM 4.3L V6 engine ensures incomparable performance, durability and additional value to the machine. Powerful and efficient engine provides excellent fuel consumption and excellent torque improved operator's comfort.  
(EPA/CARB Tier-IV Certified)

## Fast and stable performance

Being able to quickly raise and lower the mast, as well as tilting forward and backward, the truck provides you the best operational conditions during loading/unloading operations. When the truck is fully loaded, mast lowering speed is carefully controlled to ensure safety by the down control valve.  
Mast (Lift and Tilt) Lock System is standard.



## State-of-the-art hydraulic system

The latest designed, large-capacity hydraulic system including a low-noise control valve shortens reaction time during operation and improves both efficiency and durability.



## Fully hydrostatic power steering

A hydraulic steering system always guarantees smooth and flexible steering, preventing overrun and steering wheel kick-back.

■ Photo may include optional equipment



### Increased mast tilting angle

A mast tilting angle of 15 degrees forward and 10 degrees backward gives the operator a safe and rapid platform for loading and unloading jobs.

### Faster Travel Speed & Grade-ability

The powerful high-output engine provides greater acceleration, better grade-ability and faster travel speed on any tough terrain or slope.



### Grade-ability (Loaded)

60L-7A : 45.6%  
70L-7A : 40.6%

### Travel speed (Unloaded)

60L-7A : 22.4 km/h  
70L-7A : 22.5 km/h

# Ergonomic operator friendly compartment design!

A design based on human engineering relieves fatigue and increases operator's efficiency.

## Operator friendly gauges and water-resistant monitor panel



- ① Parking brake lamp
- ② Directional indicators
- ③ Engine oil warning lamp
- ④ Transmission oil temperature warning lamp
- ⑤ Battery charging warning lamp
- ⑥ Air cleaner filter warning light
- ⑦ Working light indicator
- ⑧ Seat belt warning
- ⑨ Water temperature gauge
- ⑩ OPSS warning (option)
- ⑪ Hour meter
- ⑫ Engine check lamp
- ⑬ Brake oil warning lamp



## Easily adjustable suspension seat

An attractive and adjustable seat with armrests, based on a human engineering design, provides great comfort, safety and durability.



## High visibility for safe operation

The operator is able to work with increased safety and accuracy due to a wider view mast.



## Ergonomic positioned pedals

Based on human engineering, the accelerator, brake and inching pedals are optimally positioned for operator's convenience.



## Cup holder & console box

Additional storage spaces are located inside the operating space for operator's convenience.



## Quick Response of Operating Control Levers

Only minimal operator's effort is required for precise, safe and productive control.

■ Photo may include optional equipment



### Adjustable steering wheel

Steering wheel with horn button can be adjusted by a lever on the right-hand side for the most comfortable operator position.



### Easy and safe shift lever

A single lever on the left side of the steering column gives the operator fast and easy control of speed and travel direction. The engine can only be started in case of neutral position of this lever.

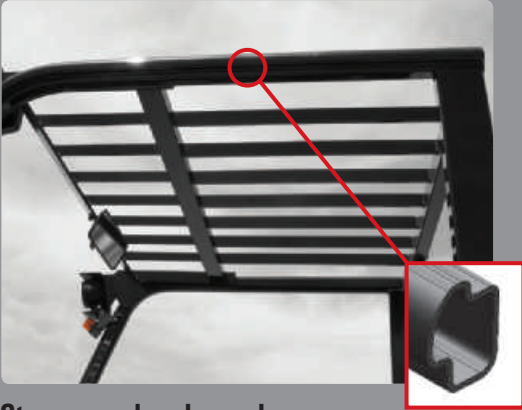


### Multi-function switch lever

A multi-functional switch lever gives easy access to lights and horn.

# Enhanced safety through high durability!

Safety and durability are priorities in the design of the equipment.



## Strong overhead guard

The safety overhead guard meets ISO 6055 regulations and protects the operator during hazardous jobs.



## Parking Brake

Toggle type parking brake requires less efforts from the operator to set.

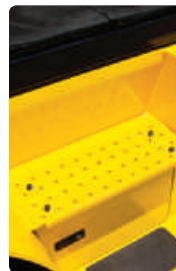
## Highly durable split type drive axle

The planetary reduction drive axle smoothly delivers desired torque to the drive wheels.



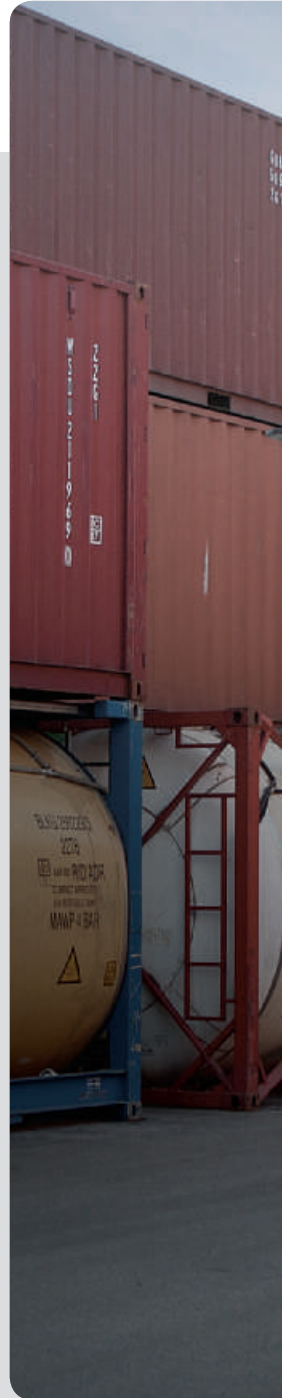
## OPSS (Operator Presence Sensing System)

No mast or drive movement is possible when the operator is not seated in normal position.



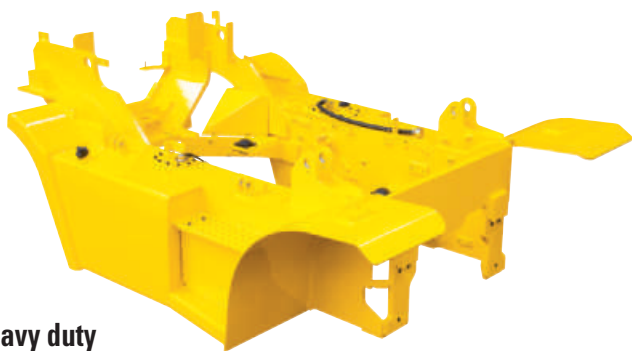
## Large footstep & Handle

Wide "open" step ensures easy and safe access to the operator's seat





■ Photo may include optional equipment



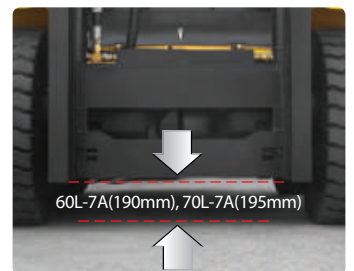
### Heavy duty single unit frame

Heavy duty single unit type frame, designed on the basis of accurate structural analysis, guarantees durability and safety.



### Bright, protected headlights

Bright, protected headlights are positioned for increased visibility in dark environments.



### Ground clearance

The engine and transmission are assembled horizontally and positioned high in the frame to protect valuable components during operations on rugged surface.

# Centralized design for easy service!

An ideal arrangement of components ensures easy access and convenience during maintenance.



## Large Open Engine Hood

Highly accessible engine compartment assures fast and efficient maintenance.

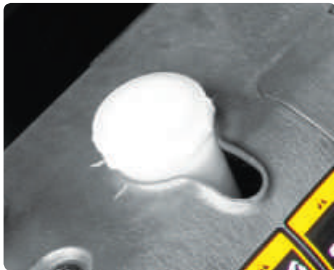


## Easy change air cleaner

The air filter is readily accessible for cleaning or replacement.



## Up-to-date cooling system



## Brake Fluid Reservoir with low level indicator

When the brake fluid level reaches minimum, a warning lamp on the cluster is activated.



## Easy Maintenance oil check

The T/M oil level can be checked easily without any disassembly.



## Expansion bellows

The expansion bellows absorbs vibration and reduces noise generated from the exhaust gas system to extend the life span.



## Grease fittings

Grease fittings are installed for fast access to steering axle center pin when performing your service checks.





■ Photo may include optional equipment



**Maintenance Free Battery**



**Large tool box**  
Additional tool box located under footstep for operator's convenience.



**Easy-to-access reservoir tank**



**Wing Cover Locking System**

## Mast Specifications

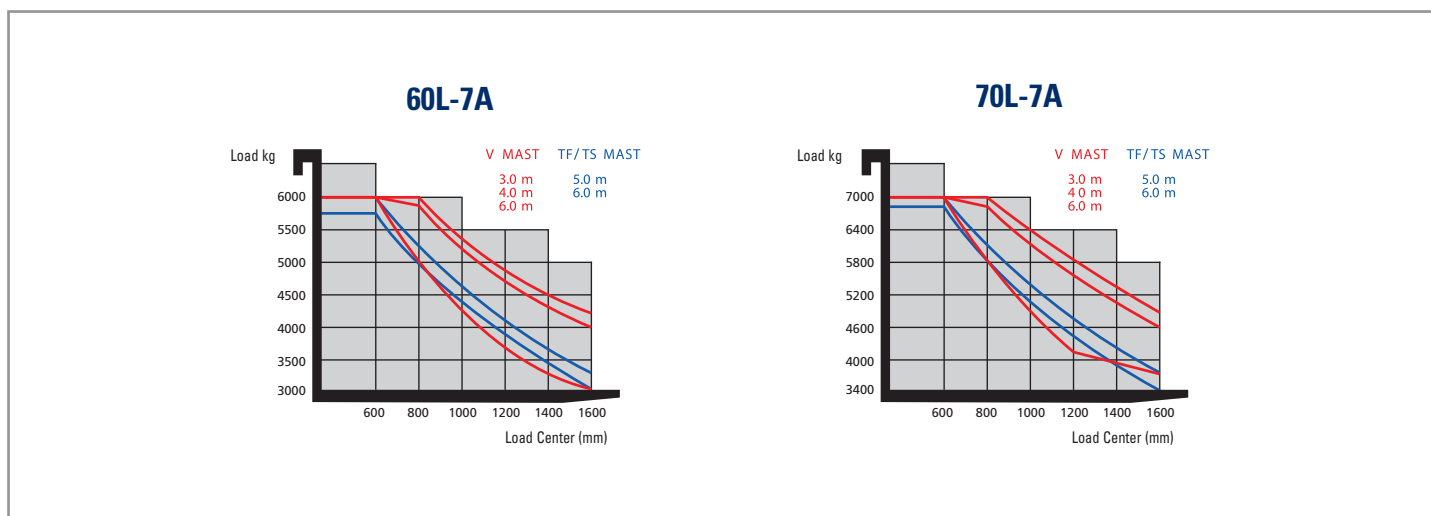
| Model  | Mast Type                  | Maximum Fork height (mm) | Overall height (mm) |                       |                        |                       | Free Lift (mm)         |       | Tilt Angle (deg) |       | Load Capacity without side shift at 600 mm LC (kg) | Load Capacity with side shift at 600 mm LC (kg) | Truck Weight (Unloaded) (kg) |
|--------|----------------------------|--------------------------|---------------------|-----------------------|------------------------|-----------------------|------------------------|-------|------------------|-------|--|---|------------------------------|
|        |                            |                          | Lowered             | Extended              |                        | Without Load Backrest | With std Load Backrest | Fwd   | Bwd              |       |  |   |                              |
|        |                            |                          |                     | Without Load Backrest | With std Load Backrest |                       |                        |       |                  |       |  |   |                              |
| 60L-7A | 2/ Stage limited free lift | V270                     | 2,730               | 2,365                 | 3,911                  | 4,020                 | 140                    | 140   | 15               | 10    | 6,000  | 6,000   | 8,779                        |
|        |                            | *V300                    | 3,030               | 2,515                 | 4,211                  | 4,320                 | 140                    | 140   | 15               | 10    | 6,000  | 6,000   | 8,826                        |
|        |                            | V330                     | 3,330               | 2,665                 | 4,511                  | 4,620                 | 140                    | 140   | 15               | 10    | 6,000  | 6,000   | 8,874                        |
|        |                            | V350                     | 3,530               | 2,765                 | 4,711                  | 4,820                 | 140                    | 140   | 15               | 10    | 6,000  | 6,000   | 8,906                        |
|        |                            | V370                     | 3,730               | 2,865                 | 4,911                  | 5,020                 | 140                    | 140   | 15               | 10    | 6,000  | 6,000   | 8,938                        |
|        |                            | V400                     | 4,030               | 3,015                 | 5,211                  | 5,320                 | 140                    | 140   | 15               | 10    | 6,000  | 6,000   | 8,994                        |
|        |                            | V450                     | 4,530               | 3,315                 | 5,711                  | 5,820                 | 140                    | 140   | 15               | 10    | 6,000  | 6,000   | 9,221                        |
|        |                            | V500                     | 5,030               | 3,565                 | 6,211                  | 6,320                 | 140                    | 140   | 15               | 10    | 6,000  | 5,850   | 9,301                        |
|        |                            | V550                     | 5,530               | 3,815                 | 6,711                  | 6,820                 | 140                    | 140   | 15               | 10    | 6,000  | 5,650   | 9,381                        |
|        | V600                       | 6,030                    | 4,065               | 7,211                 | 7,320                  | 140                   | 140                    | 15    | 10               | 6,000 | 5,500  | 9,459   |                              |
|        | 3/ Stage full free lift    | TF450/TS450              | 4,560               | 2,565                 | 5,765                  | 5,805                 | 1,360                  | 1,275 | 15               | 10    | 6,000  | 5,750   | 9,430                        |
|        |                            | TF500/TS500              | 5,060               | 2,765                 | 6,265                  | 6,305                 | 1,560                  | 1,475 | 15               | 10    | 6,000  | 5,600   | 9,522                        |
|        |                            | TF560/TS560              | 5,600               | 2,965                 | 6,805                  | 6,845                 | 1,760                  | 1,675 | 15               | 10    | 5,950  | 5,400   | 9,633                        |
|        |                            | TF600/TS600              | 6,060               | 3,165                 | 7,265                  | 7,305                 | 1,960                  | 1,875 | 15               | 10    | 5,750  | 5,250   | 9,720                        |

\*Standard : Hook-on Type Fork & Carriage

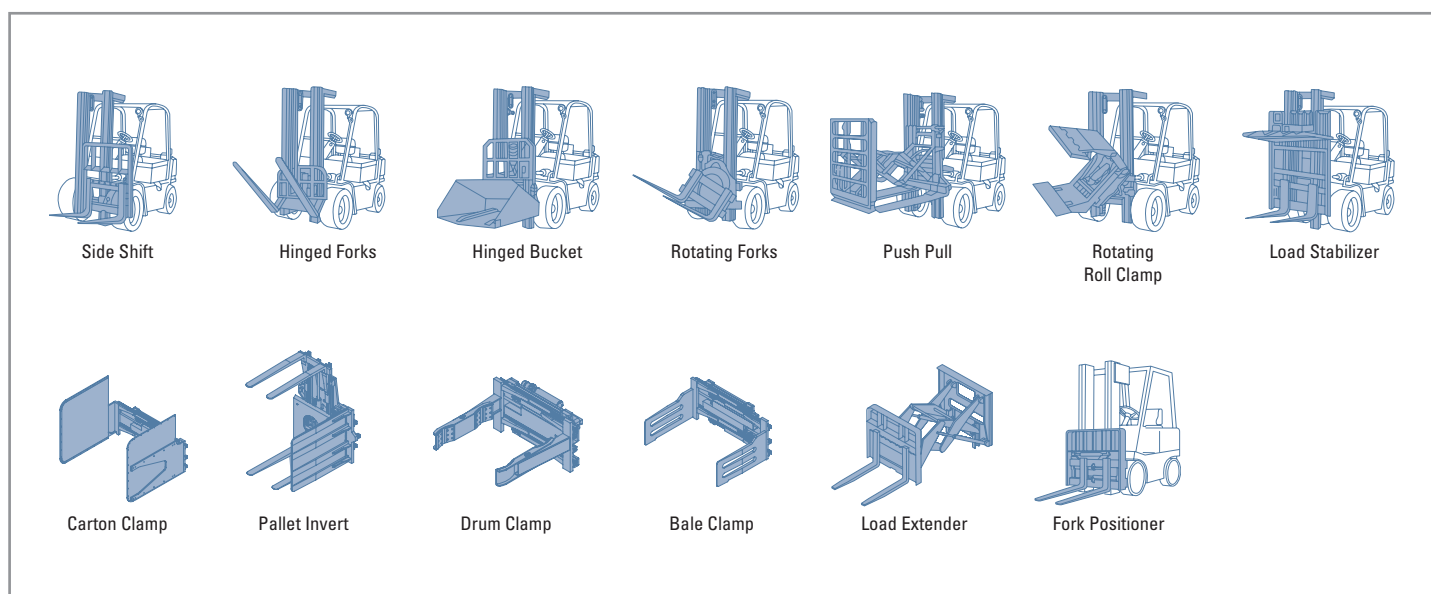
| Model  | Mast Type                  | Maximum Fork height (mm) | Overall height (mm) |                       |                        |                       | Free Lift (mm)         |       | Tilt Angle (deg) |       | Load Capacity without side shift at 600 mm LC (kg) | Load Capacity with side shift at 600 mm LC (kg) | Truck Weight (Unloaded) (kg) |
|--------|----------------------------|--------------------------|---------------------|-----------------------|------------------------|-----------------------|------------------------|-------|------------------|-------|--|---|------------------------------|
|        |                            |                          | Lowered             | Extended              |                        | Without Load Backrest | With std Load Backrest | Fwd   | Bwd              |       |  |   |                              |
|        |                            |                          |                     | Without Load Backrest | With std Load Backrest |                       |                        |       |                  |       |  |   |                              |
| 70L-7A | 2/ Stage limited free lift | V270                     | 2,730               | 2,365                 | 3,911                  | 4,020                 | 140                    | 140   | 15               | 10    | 7,000  | 7,000   | 9,457                        |
|        |                            | *V300                    | 3,030               | 2,515                 | 4,211                  | 4,320                 | 140                    | 140   | 15               | 10    | 7,000  | 7,000   | 9,506                        |
|        |                            | V330                     | 3,330               | 2,665                 | 4,511                  | 4,620                 | 140                    | 140   | 15               | 10    | 7,000  | 7,000   | 9,552                        |
|        |                            | V350                     | 3,530               | 2,765                 | 4,711                  | 4,820                 | 140                    | 140   | 15               | 10    | 7,000  | 7,000   | 9,584                        |
|        |                            | V370                     | 3,730               | 2,865                 | 4,911                  | 5,020                 | 140                    | 140   | 15               | 10    | 7,000  | 7,000   | 9,616                        |
|        |                            | V400                     | 4,030               | 3,015                 | 5,211                  | 5,320                 | 140                    | 140   | 15               | 10    | 7,000  | 7,000   | 9,672                        |
|        |                            | V450                     | 4,530               | 3,315                 | 5,711                  | 5,820                 | 140                    | 140   | 15               | 10    | 7,000  | 6,900   | 9,900                        |
|        |                            | V500                     | 5,030               | 3,565                 | 6,211                  | 6,320                 | 140                    | 140   | 15               | 10    | 7,000  | 6,700   | 9,979                        |
|        |                            | V550                     | 5,530               | 3,815                 | 6,711                  | 6,820                 | 140                    | 140   | 15               | 10    | 7,000  | 6,500   | 10,059                       |
|        | V600                       | 6,030                    | 4,065               | 7,211                 | 7,320                  | 140                   | 140                    | 15    | 10               | 6,800 | 6,350  | 10,137  |                              |
|        | 3/ Stage full free lift    | TF450/TS450              | 4,560               | 2,565                 | 5,765                  | 5,805                 | 1,360                  | 1,275 | 15               | 10    | 7,000  | 6,600   | 10,095                       |
|        |                            | TF500/TS500              | 5,060               | 2,765                 | 6,265                  | 6,305                 | 1,560                  | 1,475 | 15               | 10    | 6,900  | 6,400   | 10,187                       |
|        |                            | TF560/TS560              | 5,600               | 2,965                 | 6,805                  | 6,845                 | 1,760                  | 1,675 | 15               | 10    | 6,700  | 6,200   | 10,298                       |
|        |                            | TF600/TS600              | 6,060               | 3,165                 | 7,265                  | 7,305                 | 1,960                  | 1,875 | 15               | 10    | 6,500  | 6,050   | 10,386                       |

\*Standard : Hook-on Type Fork & Carriage

## Load Capacity



## Various Attachments



## Optional Items

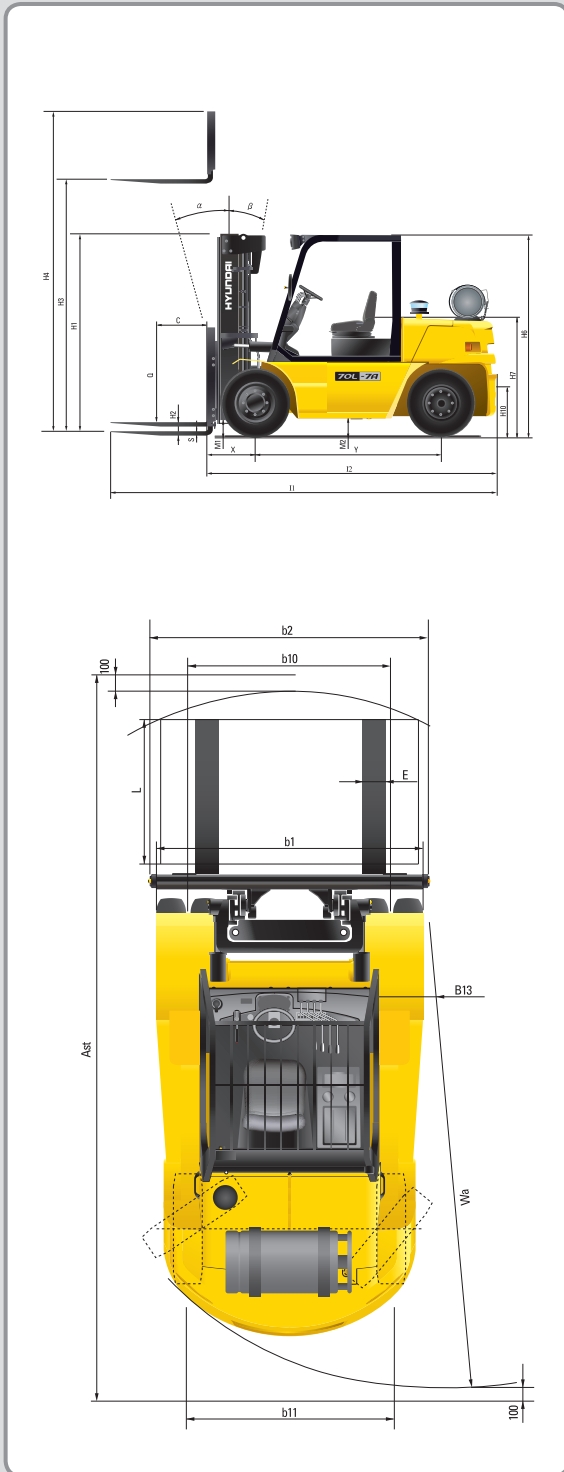
- **FORK (L x W x T) (mm)**  
1,350 / 1,500 / 1,800 / 2,000 / 2,400
- **FORK EXTENDERS**  
1,800 / 2,000 / 2,200 / 2,300
- **TIRE SOLID NON-MARKING**
- **SEAT SEATBELT, ARM REST, HIP REST**
- **INTERNAL PIPING**
- **CABIN & HEATER CABIN, HEATER**
- **MUFFLER HORIZONTAL**
- **LPG TANK CLAMP : DUAL**
- **MASTER SWITCH**
- **BEACON LAMP**
- **HAZARD SWITCH**
- **MCV 3-SPOOL / 4-SPOOL / 5-SPOOL**
- **INTEGRAL FORK POSITIONER CARRIAGE**
- **INTEGRAL SIDE SHIFT CARRIAGE**
- **INTEGRAL SIDE SHIFT WITH FORK POSITIONER CARRIAGE**



Notes

A series of horizontal dotted lines for writing notes.

## Dimensions



## Specifications

| Identification   |   |                  |                  |                  |
|------------------|---|------------------|------------------|------------------|
| 1.1              | Manufacturer  | Hyundai          | Hyundai          |                  |
| 1.2              | Type  | 60L-7A           | 70L-7A           |                  |
| 1.3              | Drive: Electric, Diesel, LPG Gas                                    | LPG              | LPG              |                  |
| 1.4              | Type of operation: hand, pedestrian, standing, seated, order-picker | seated           | seated           |                  |
| 1.5              | Load capacity (standard)  | Q (kg)           | 6,000            | 7,000            |
| 1.6              | Load center distance  | c (mm)           | 600              | 600              |
| 1.8              | Load distance, center of drive axle to forks                        | x (mm)           | 615              | 615              |
| 1.9              | Wheelbase   | y (mm)           | 2,300            | 2,300            |
| Weights          |   |                  |                  |                  |
| 2.1              | Service weight  | kg               | 8,862            | 9,430            |
| 2.2              | Axle loading, loaded front / rear                                   | kg               | 13,159 / 1,703   | 14,564 / 1,866   |
| 2.3              | Axle loading, unloaded front / rear                                 | kg               | 3,990 / 4,832    | 3,867 / 5,564    |
| Wheels, chassis  |   |                  |                  |                  |
| 3.1              | Tires: solid rubber, superelastic, pneumatic, polyurethane          |                  | Pneumatic        | Pneumatic        |
| 3.2              | Tires size, front   |                  | 8.25-15          | 8.25-15          |
| 3.3              | Tires size, rear  |                  | 8.25-15          | 8.25-15          |
| 3.5              | Wheels, number front / rear (X = driven wheels)                     |                  | 4x/2             | 4x/2             |
| 3.6              | Track width, front  | b10 (mm)         | 1,578            | 1,578            |
| 3.7              | Track width, rear   | b11 (mm)         | 1,604            | 1,604            |
| Basic dimensions |   |                  |                  |                  |
| 4.1              | Mast / fork carriage tilt forward / backward                        | degrees          | 15 / 10          | 15 / 10          |
| 4.2              | Lowered mast height (standard)                                      | h1 (mm)          | 2,515            | 2,515            |
| 4.3              | Free lift   | h2 (mm)          | 140              | 140              |
| 4.4              | Lift height (standard)  | h3 (mm)          | 3,030            | 3,030            |
| 4.5              | Extended mast height (standard)                                     | h4 (mm)          | 4,320            | 4,320            |
| 4.7              | Overhead load guard (cab) height                                    | h5 (mm)          | 2,500            | 2,500            |
| 4.8              | Seat height / standing height                                       | h7 (mm)          | 1,395            | 1,395            |
| 4.12             | Coupling height   | h10 (mm)         | 425              | 425              |
| 4.19             | Overall length  | l1 (mm)          | 4,770            | 4,820            |
| 4.20             | Length to face of forks   | l2 (mm)          | 3,570            | 3,620            |
| 4.21             | Overall width   | b1 (mm)          | 2,087            | 2,087            |
| 4.22             | Fork dimensions (hook type) LxWxT                                   | s / e / l (mm)   | 65 x 150 x 1,200 | 65 x 150 x 1,200 |
| 4.23             | Fork carriage ISO 2328, class / type A,B                            |                  | Class IV         | Class IV         |
| 4.24             | Fork carriage width   | b12 (mm)         | 2,068            | 2,068            |
| 4.31             | Ground clearance, loaded, under mast                                | m1 (mm)          | 190              | 195              |
| 4.32             | Ground clearance, centre of wheelbase                               | m2 (mm)          | 220              | 220              |
| 4.33             | Aisle width for pallets 1000 x 1200 crossways (L x W)               | Ast (mm)         | 5,136            | 5,185            |
| 4.34             | Aisle width for pallets 800 x 1200 lengthways (W x L)               | Ast (mm)         | 5,336            | 5,385            |
| 4.35             | Turning radius  | Wa (mm)          | 3,321            | 3,370            |
| 4.36             | Smallest pivot point distance                                       | b13 (mm)         | 1,224            | 1,224            |
| Performance data |   |                  |                  |                  |
| 5.1              | Travel speed, unloaded  | km/h             | 22.5             | 22.4             |
| 5.2              | Lift speed, loaded / unloaded                                       | mm/s             | 420 / 420        | 420 / 420        |
| 5.3              | Lowering speed, loaded / unloaded                                   | mm/s             | 500 / 450        | 500 / 450        |
| 5.5              | Drawbar pull, loaded  | kg               | 6,827            | 6,861            |
| 5.7              | Gradient performance, loaded / unloaded                             | %                | 45.6             | 40.6             |
| 5.10             | Service brake   |                  | Foot : Hydraulic | Foot : Hydraulic |
| Engine           |   |                  |                  |                  |
| 6.1              | Engine manufacturer / type  |                  | GM 4.3L V6       | GM 4.3L V6       |
| 6.2              | Engine power acc. To ISO 1585                                       | kW               | 70               | 70               |
| 6.3              | Rated speed   | 1/min            | 2,300            | 2,300            |
| 6.4              | No. of cylinder / cubic capacity                                    | /cm <sup>3</sup> | 6 / 4,294        | 6 / 4,294        |
| Other details    |   |                  |                  |                  |
| 8.1              | Type of drive control   |                  | Power Shift      | Power Shift      |
| 8.2              | Operating pressure (attachments)                                    | bar              | 185              | 185              |
| 8.3              | Hydraulic oil flow (attachments)                                    | l/min            | 94               | 94               |
| 8.4              | Sound level at driver's ear according to DIN 12053                  | db(A)            | 82               | 82               |

\* Standard and optional equipment may vary. Contact your Hyundai dealer for more information. The machine may vary according to international standards.

\* The photos may include attachments and optional equipment that are not available in your area.

\* Materials and specifications are subject to change without advance notice.

\* All imperial measurements rounded off to the nearest pound or inch.

PLEASE CONTACT

 **HYUNDAI**  
HEAVY INDUSTRIES EUROPE  
**MATERIAL HANDLING**

Hyundai Heavy Industries Europe N.V.

VOSSENDAAL 11, 2440 GEEL, BELGIUM TEL: (32) 14-56-2200 FAX: (32) 14-59-3405