

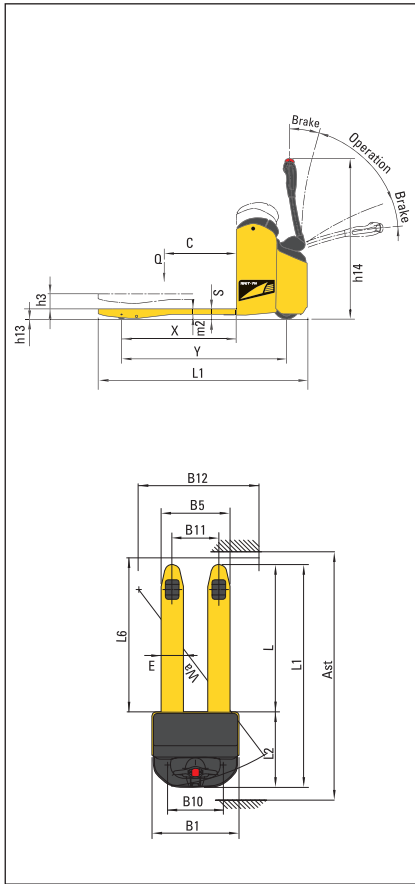
We build a better future



**16ET-7N**  
**18ET-7N**  
**20ET-7N**  
**22ET-7**

WAREHOUSE EQUIPMENT Electric pallet trucks

## DIMENSIONS



## DETAIL



## SPECIFICATIONS

Identification		16 ET - 7N	18 ET - 7N	20 ET - 7N	22 ET - 7
1.1	Manufacturer	Hyundai	Hyundai	Hyundai	Hyundai
1.2	Type	16ET-7N	18ET-7N	20ET-7N	22ET-7
1.3	Drive: electric (battery or mains), diesel, petrol, fuel gas, manual	Battery	Battery	Battery	Battery
1.4	Type of operation: hand, pedestrian, standing, seated, order-picker	Pedestrian	Pedestrian	Pedestrian	Pedestrian
1.5	Load capacity (standard)	kg 1600	1800	2000	2200
1.6	Load center distance	C mm 600	600	600	600
1.8	Load distance, fork face to track wheels (raised position)	X mm 953	953	953	953
1.9	Wheelbase (drive axle to track wheels) raised / lowered	Y mm 1263 / 1203	1372 / 1312	1372 / 1312	1452 / 1392
Weights					
2.1	Service weight	kg 445	480	482	560
2.2	Axle loading, loaded front / rear	kg 839 / 1206	1002 / 1278	1077 / 1405	1286 / 1474
2.3	Axle loading, unloaded front / rear	kg 311 / 134	336 / 144	337 / 145	392 / 168
Wheels					
3.1	Tires	Polyurethane	Polyurethane	Polyurethane	Polyurethane
3.2	Tires size, front	mm 1 x (230 x 75)	1 x (230 x 75)	1 x (230 x 75)	1 x (230 x 75)
3.3	Tires size, rear	mm 2 x (82 x 100)	2 x (82 x 100)	4 x (82 x 70)	4 x (82 x 70)
3.4	Outrigger dimensions	mm 2 x (100 x 40)	2 x (100 x 40)	2 x (100 x 40)	2 x (100 x 40)
3.5	Wheels, number front / rear (X = driven wheels)	1 x 2/2	1 x 2/2	1 x 2/4	1 x 2/4
3.6	Track width, front	B10 mm 435	435	435	435
3.7	Track width, rear	B11 mm 365 - 505	365 - 505	365 - 505	365 - 505
Basic dimensions					
4.4	Lift height (standard)	h3 mm 125	125	125	125
4.9	Height of tiller in drive position (max)	h14 mm 1336	1336	1336	1336
4.15	Height of forks (lowered)	h13 mm 85	85	85	85
4.19	Overall length	L1 mm 1630	1739	1739	1819
4.20	Length to face of forks	L2 mm 480	589	589	669
4.21	Overall width	B1 mm 680	680	680	680
4.22	Fork dimensions	S x E x L mm 45 x 175 x 1150	45 x 175 x 1150	45 x 175 x 1150	45 x 175 x 1150
4.25	Width over forks	B5 mm 540 - 680	540 - 680	540 - 680	540 - 680
4.32	Ground clearance, centre of wheelbase	m2 mm 35	35	35	35
4.34	Aisle width for pallets lengthways	Ast mm 1830	1939	1939	2019
4.35	Turning radius (raised / lowered)	Wa mm 1435 / 1375	1544 / 1484	1544 / 1484	1624 / 1564
Performance data					
5.1	Travel speed, loaded / unloaded	km / h 5.8 / 6	5.8 / 6	5.8 / 6	5.6 / 6
5.2	Lift speed, loaded / unloaded	mm / s 300 / 380	300 / 380	290 / 380	280 / 380
5.3	Lowering speed, loaded / unloaded	mm / s 500 / 450	510 / 450	510 / 450	520 / 450
5.8	Max. Gradient performance, loaded / unloaded	% 10 / 25	10 / 25	10 / 25	10 / 25
5.10	Service brake	Electromagnetic	Electromagnetic	Electromagnetic	Electromagnetic
5.11	Parking brake	Handle release	Handle release	Handle release	Handle release
Drive unit					
6.1	Drive motor rating (S2 60 min)	kW 1	1.2	1.2	1
6.2	Lift motor rating at S3 10%	kW 1	0.8	0.8	1
6.3	Battery acc. To DIN43531 / 35 / 36, A, B, C	Traction	Traction	Traction	Traction
6.4	Battery voltage / nominal capacity	V / Ah 24 / 150	24 / 180 (250)	24 / 180 (250)	24 / 270 (360)
6.5	Battery weight (+/- 5%)	kg 160	180 / 225	180 / 250	270 / 360
Other details					
8.1	Type of drive control	AC	AC	AC	Sepex Mosfet Variator
8.4	Sound level at driver's ear (driving)	dB (A) 65	65	65	65

PLEASE CONTACT